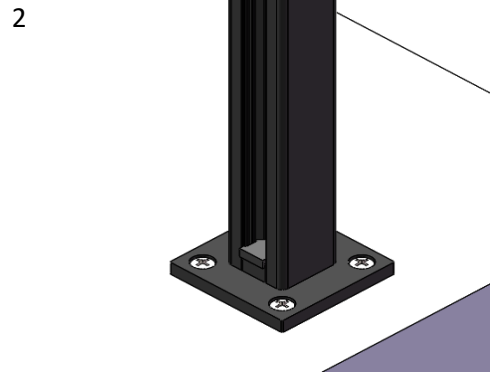
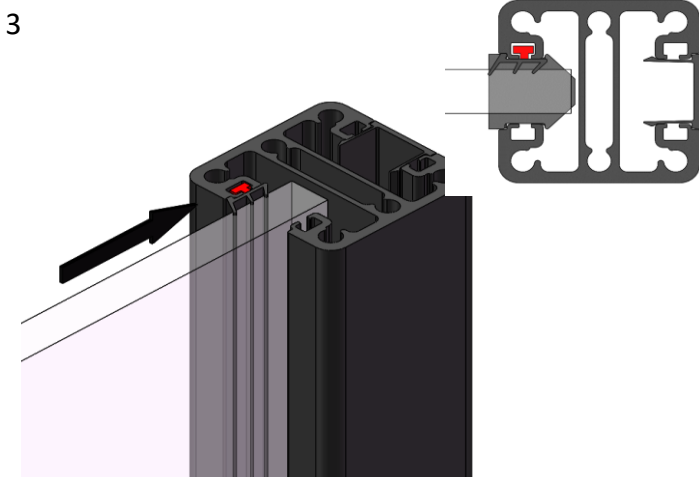


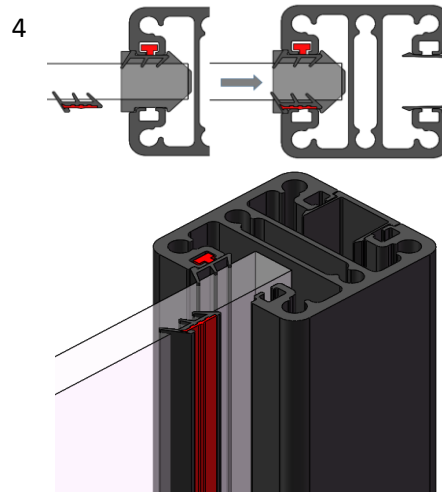
Tighten post to ground by screws through the holes dig in advance.
Stolpen vatres opp og festes til gulv.



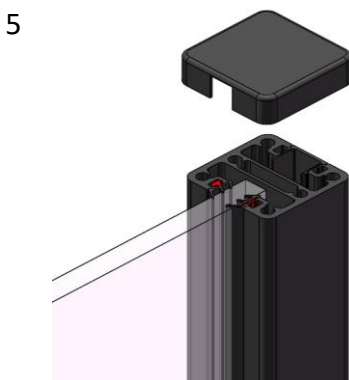
Put the rubber packing block on the bottom support.
Plasser avstandskloss i bunn.



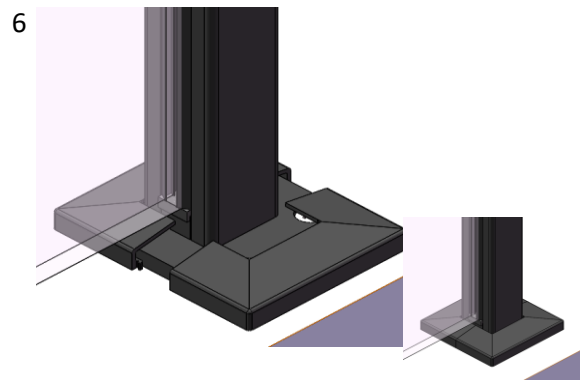
Stick the outer rubber to the outside part of the slot, and slide glass in from side.
Tre inn pakning, sett inn glass.



Fit glass retaining rubber.
Trykk inn kilegummi.



Place the cap in position.
Trykk ned topplokk.



Fit the cover from two sides.
Tre på todelt dekkplate.

