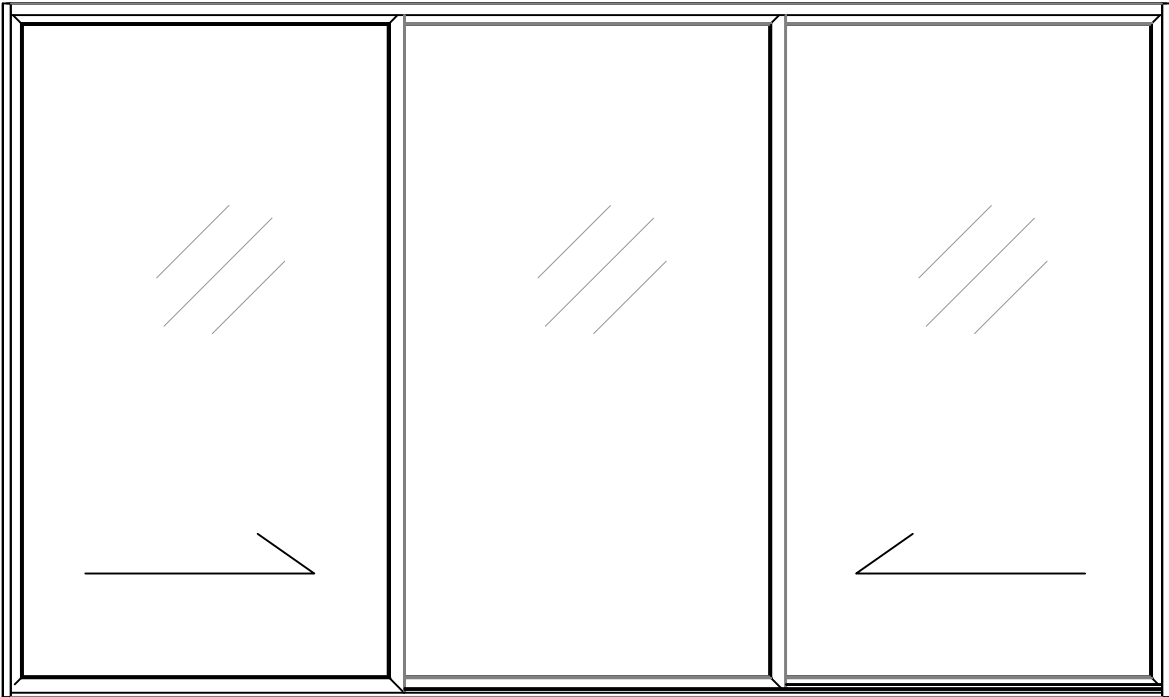





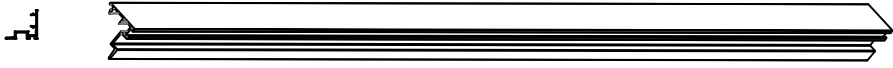
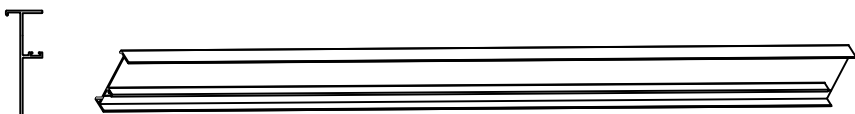
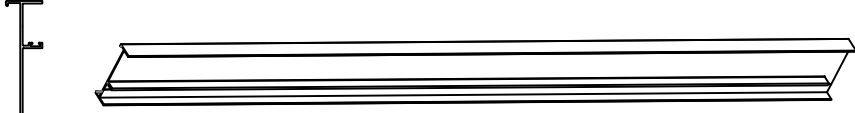

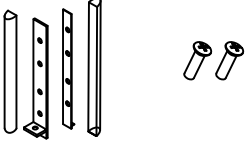
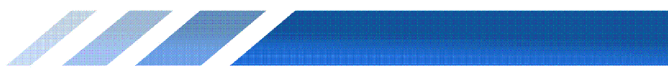


Installation Manual - Framed Sliding Doors

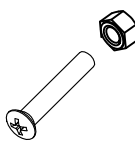


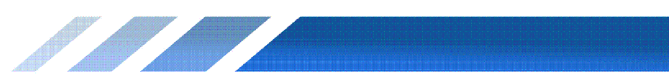


Item	Drawings	Qty
[G1]		1
[G2]		1
[G3]		1
[G4]		1
[G5]		1
[G6]		4
[G7]		1
[G8]		1
[G9]		1
[G10]		1





Item	Drawings	Qty
[G11]	 <p>M5 bolt with nut</p>	4
[G12]	 <p>4.2x 25mm screw</p>	8
[G13]	 <p>4.2x 32mm screw</p>	12
[G14]	 <p>3x16mm screw</p>	12
[G15]	 <p></p>	2






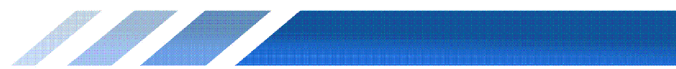
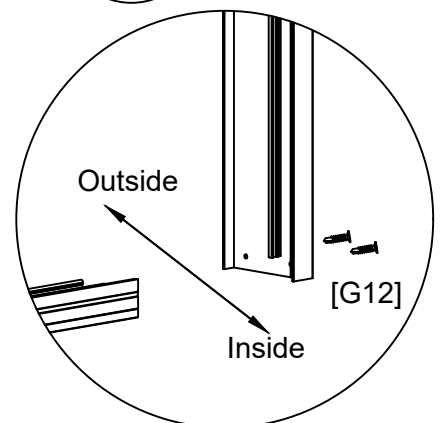
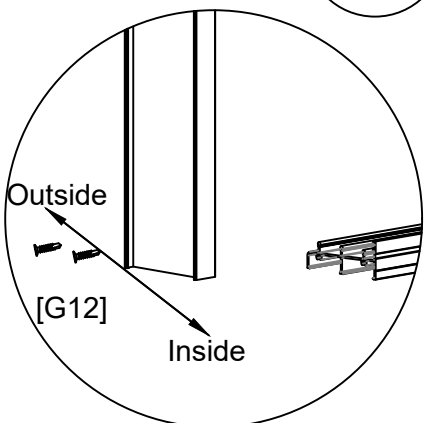
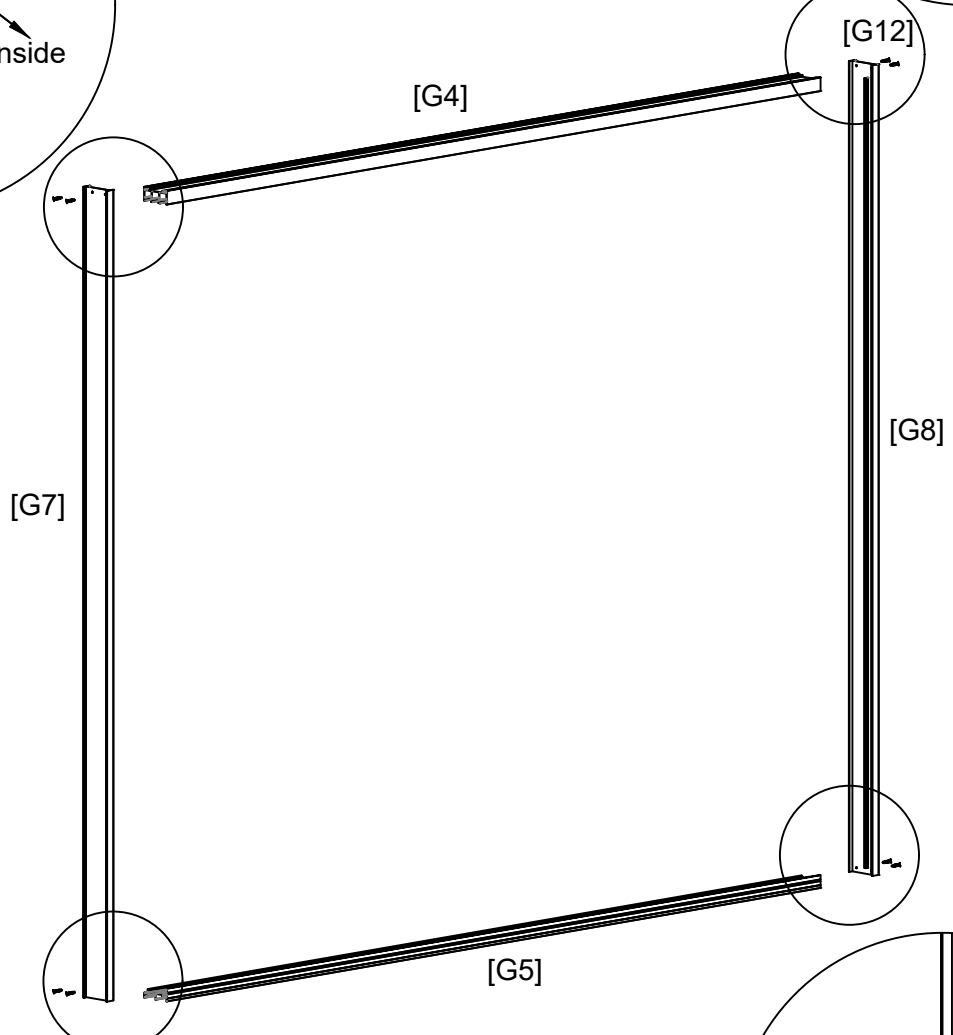
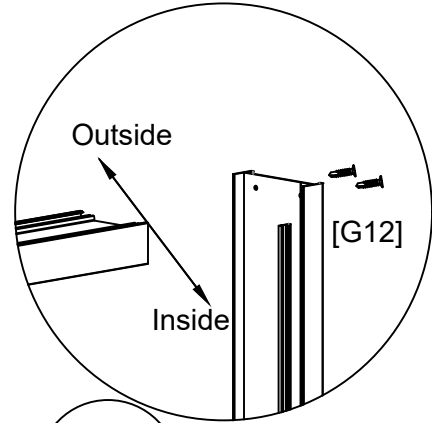
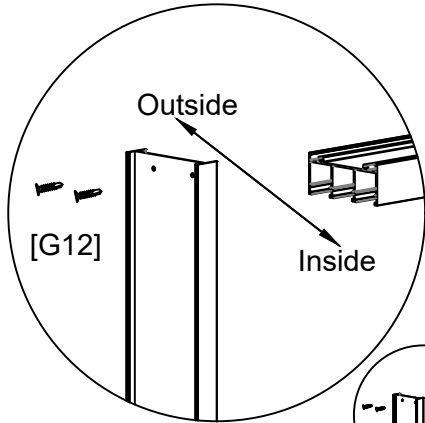
[G5] 

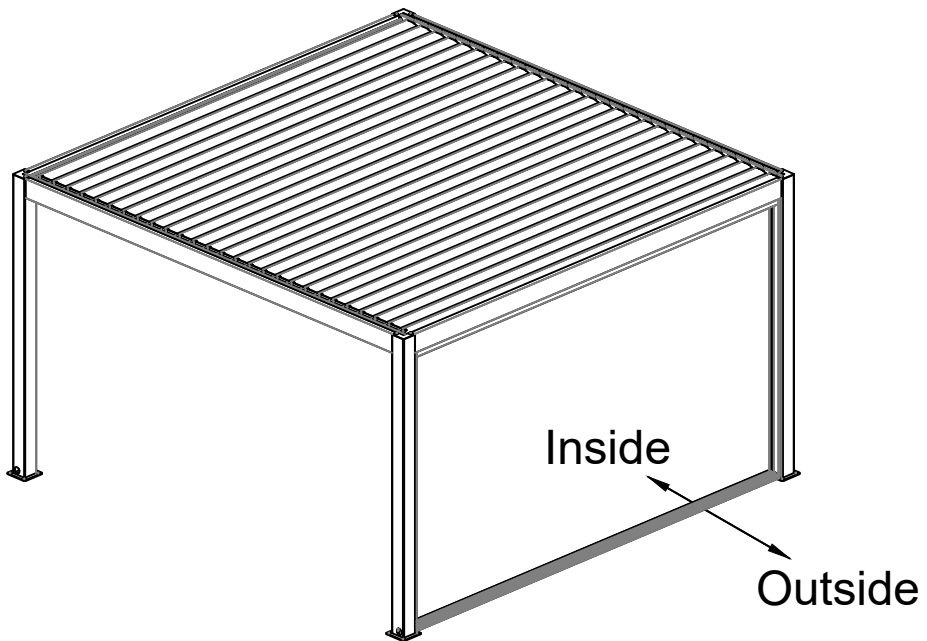
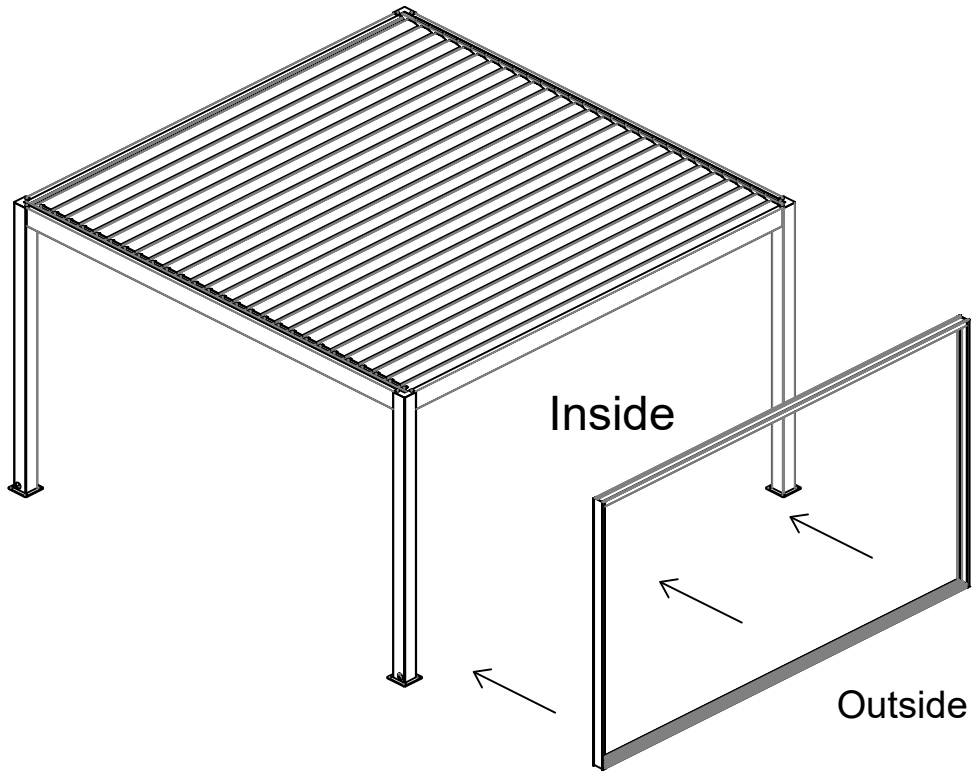
[G4] 

[G8] 

[G7] 

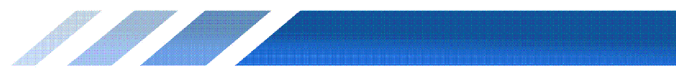
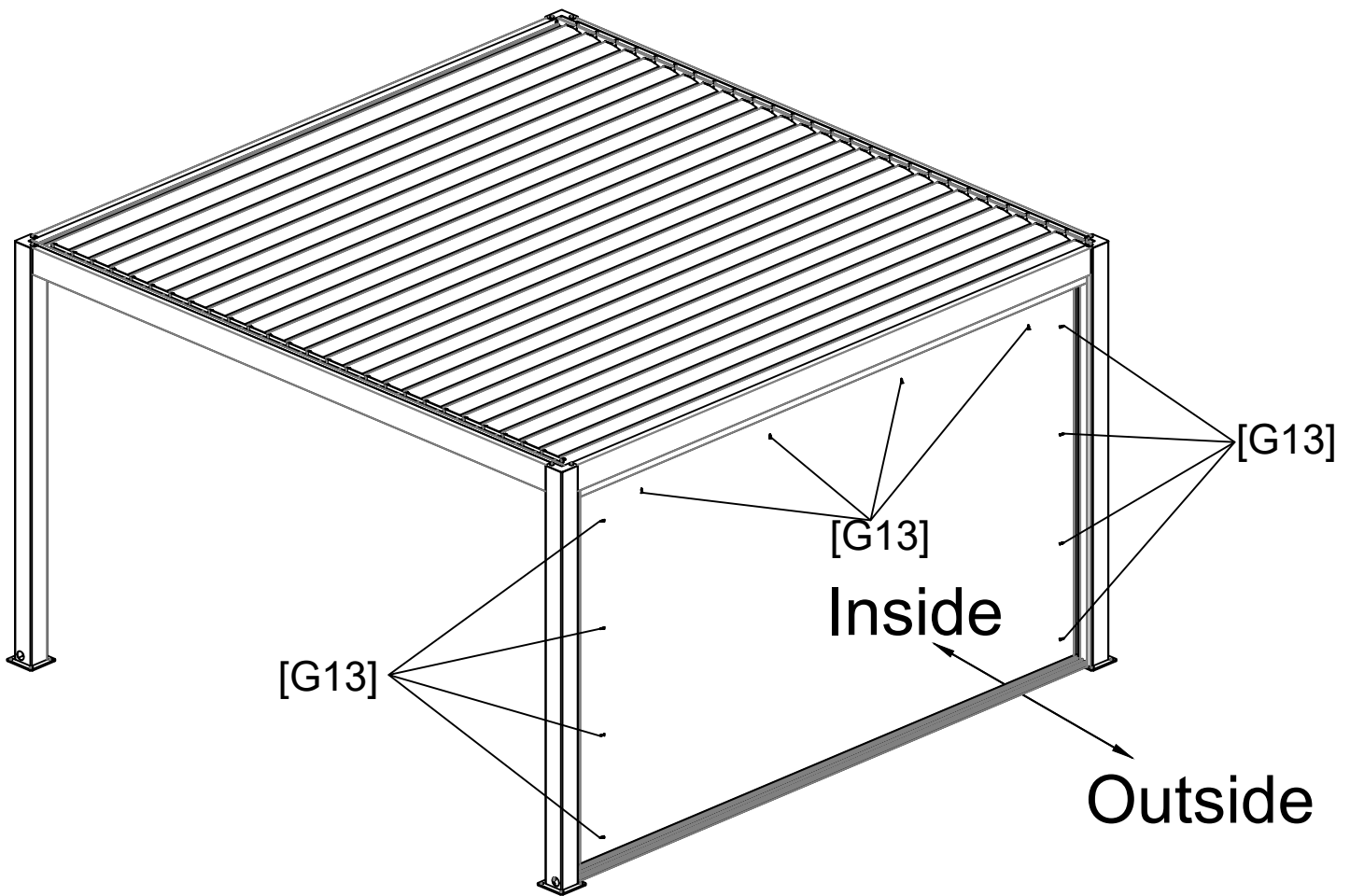
[G12] x8 

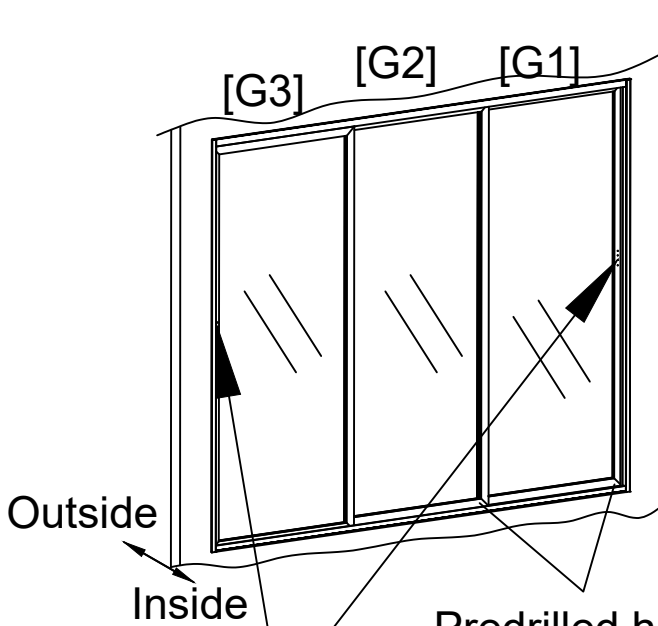
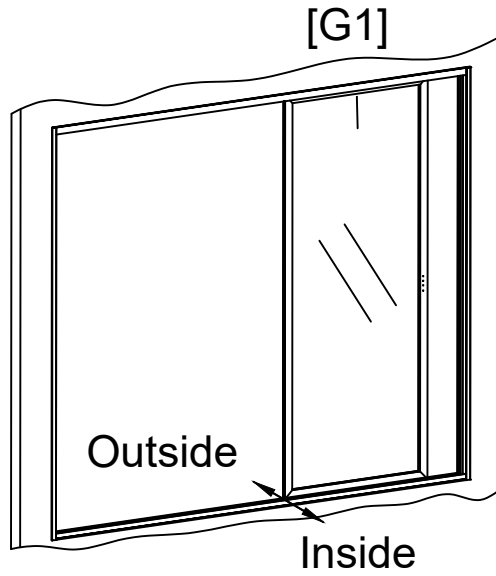
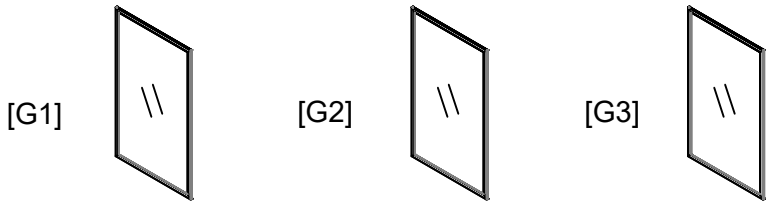






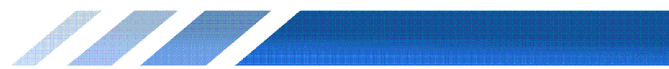
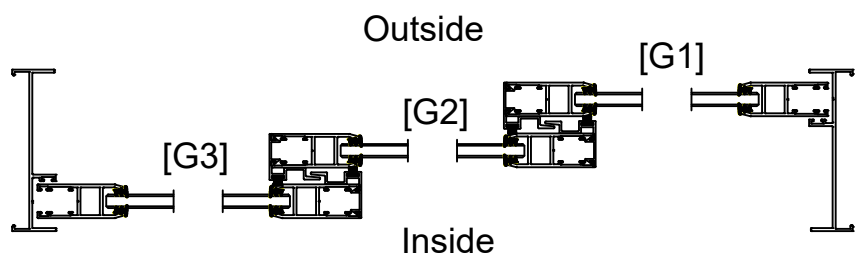
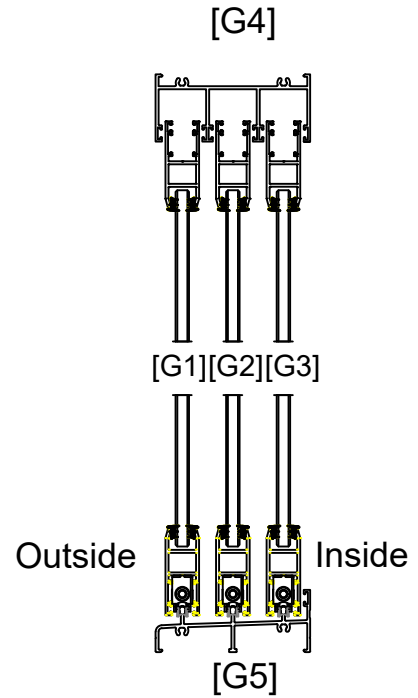
[G13]
x12





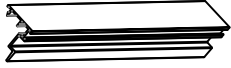
Screw holes on frame for handles

Predrilled holes in wheel profile on the inside





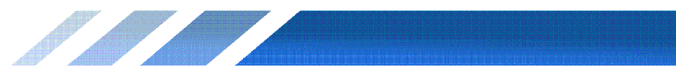
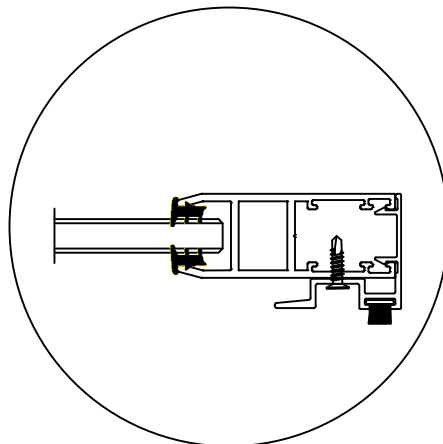
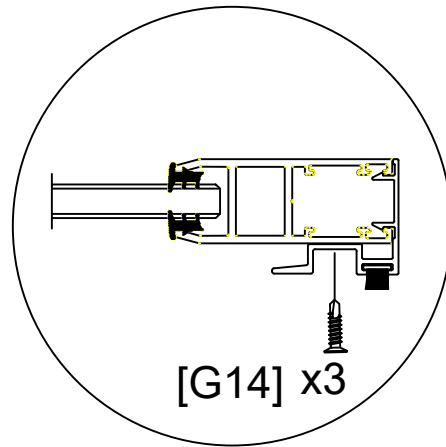
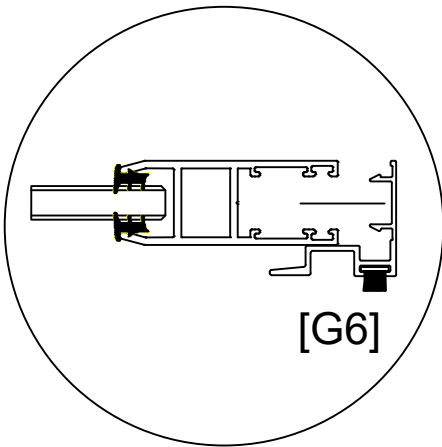
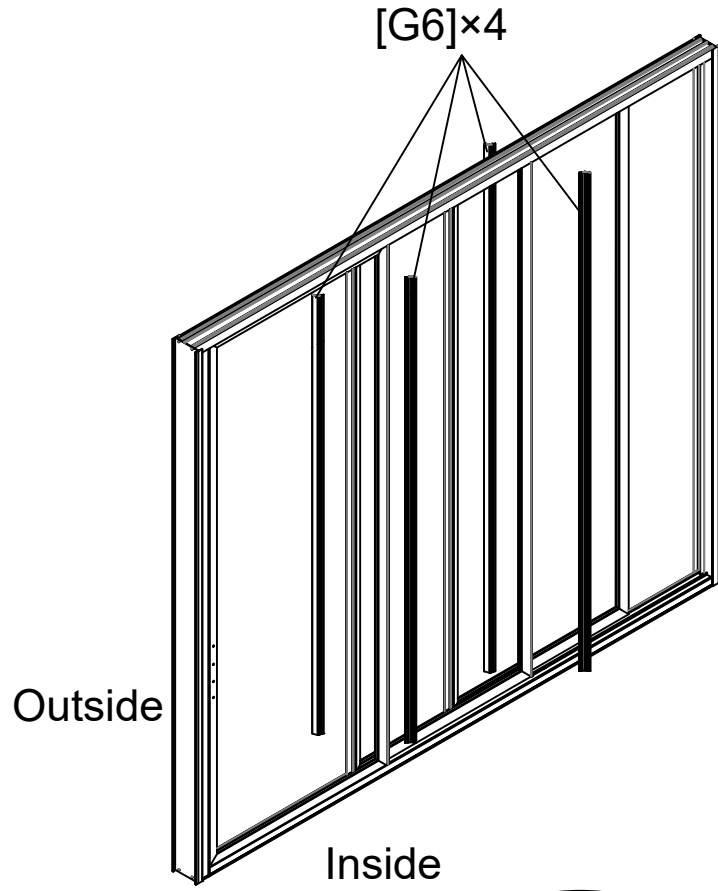
[G6]×4

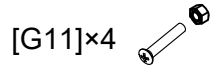
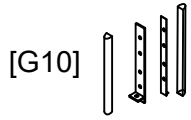
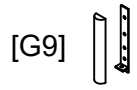


[G14]×12



[G6]×4





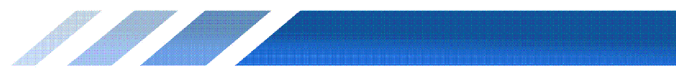
Screw 1 on handle: x4

Screw 2 on handle: x1

Outside

Inside

Screw 2 on handle: x2





[G15]×2

