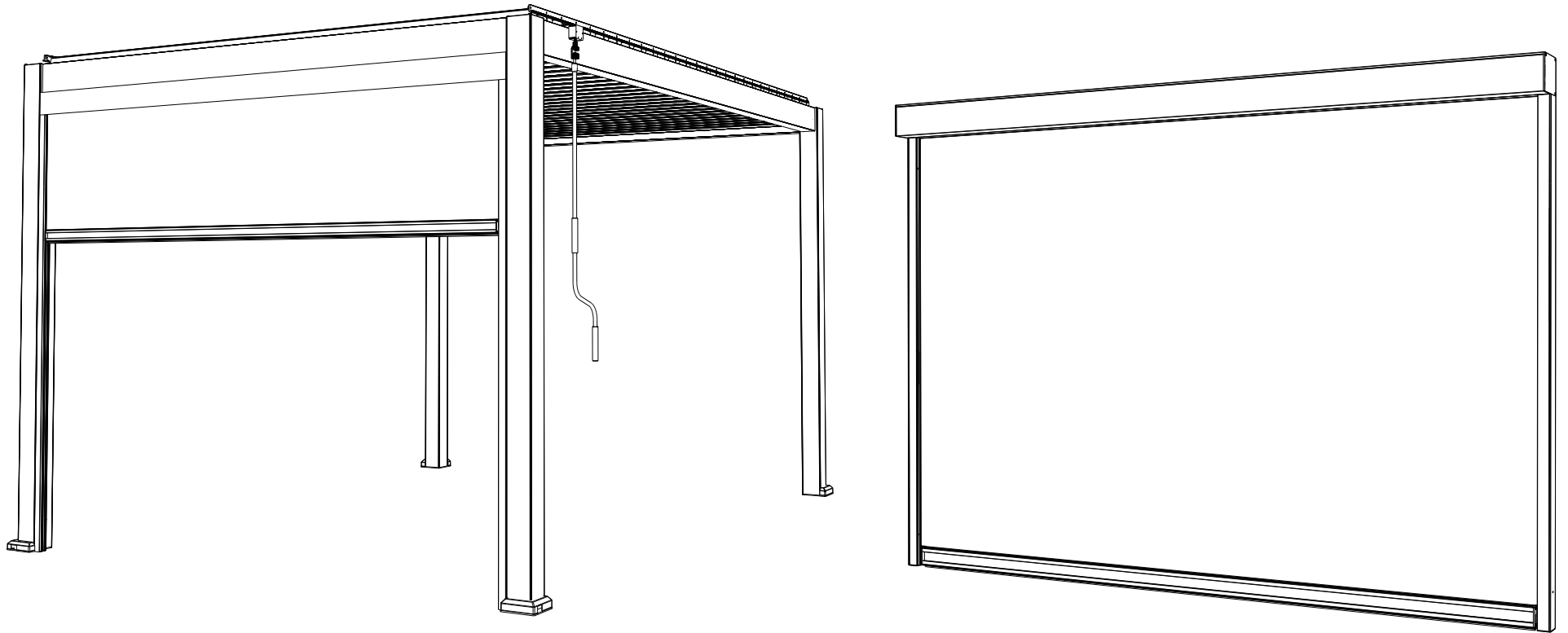


Manual Zip Screen Installation Manual



Windproof



Sunshade



Waterproof



Anti-mosquito



Privacy



View

*Please read the instructions carefully before installation, and operate strictly according to the requirements and instructions of the installation instructions.

*The whole installation process takes about 30 minutes and requires at least two more workers.

* All installation workers should wear regular protective equipment.

* Installation should be carried out with the permission of the owner or the relevant local authority.

Introduction:

Dear customer:

Thank you for choosing our wind curtains. Please read the following instructions and instructions carefully during installation and use.

1. At least three people are required for installation.
2. The rolling curtain can only be installed on a parallel and vertical frame or a flat plane. If the installation environment does not meet the requirements, the rolling curtain can not be installed and work normally.
3. After the roller curtain is installed, measure the levelness and diagonal line with a level or tape measure to ensure that the roller curtain tracks are parallel to each other.
4. When you find a part missing, do not continue to install it.
5. Please wear relevant protective equipment during installation, including protective glasses, gloves, safety helmet, etc.
6. Please be careful with sharp tools.
7. During the assembly process, ensure that children and pets are kept away from the work area, and put bags and tools out of reach of children.
8. No one shall rely on the rolling track, nor shall anything be attached to the track or cover.
9. It is strictly prohibited to install in wind, rain, snow and other bad weather conditions.
10. The roller track must be fixed in the frame or on the plane, and someone must be responsible for holding the track to maintain stability before the track is fixed.
11. The film on the profile is used to protect the profile and must be removed after installation.
12. Curtains should be closed during storms or typhoons.
13. Roller blinds should be installed on walls, window frames and gazebos with stable structures.
14. To clean the curtain regularly, use a special wire mesh brush or rinse directly with water (avoid high pressure).

Warning: When encountering strong winds and hurricanes, the rolling shutter should be closed, otherwise the rolling shutter will be blown off the track.

About cleaning

The surface of the profile must be cleaned once a year to maintain its original texture.

When cleaning, do not use coarse cloth, abrasive, steel ball and other color cloth, it is recommended to use: soft sponge, soft brush.

Do not use corrosive cleaning products such as acid or alkaline.

It is recommended to wash with PH neutral detergent and water, and then dry with a rag.

It is not suitable to use high pressure equipment to clean the roller curtain.

Attention to use

After installation, check that the screws are tight, and remember to check the screws at least once a year.

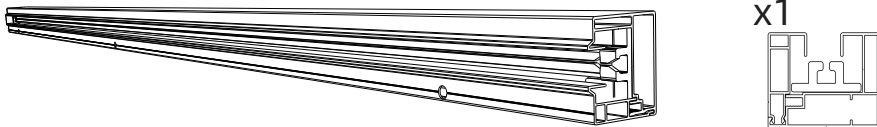
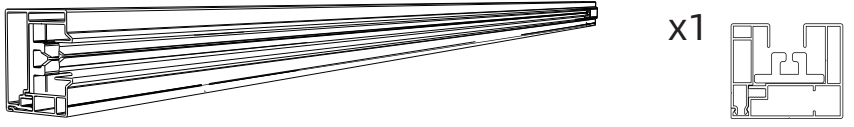
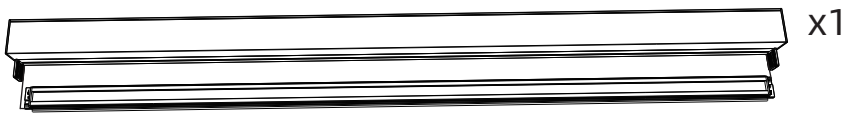
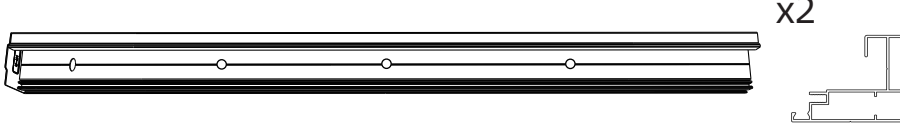
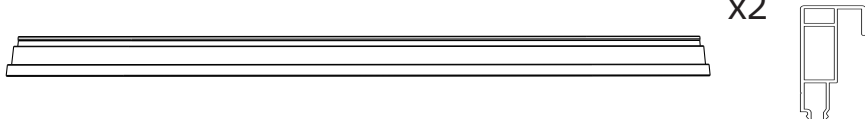

Check accessories regularly to ensure that accessories or other parts are not damaged.

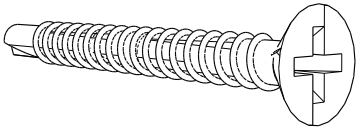
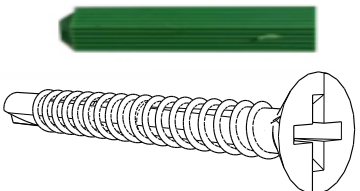
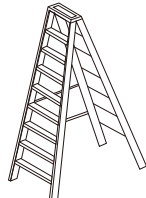
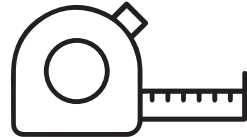

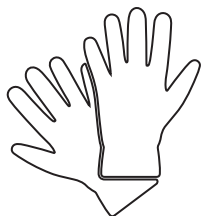
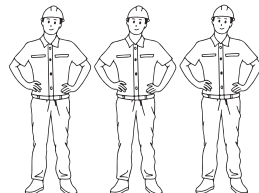
Warm reminder

When encountering typhoons or other bad weather, the rolling shutter should not be opened, and the rolling shutter should be brought back into the cover.

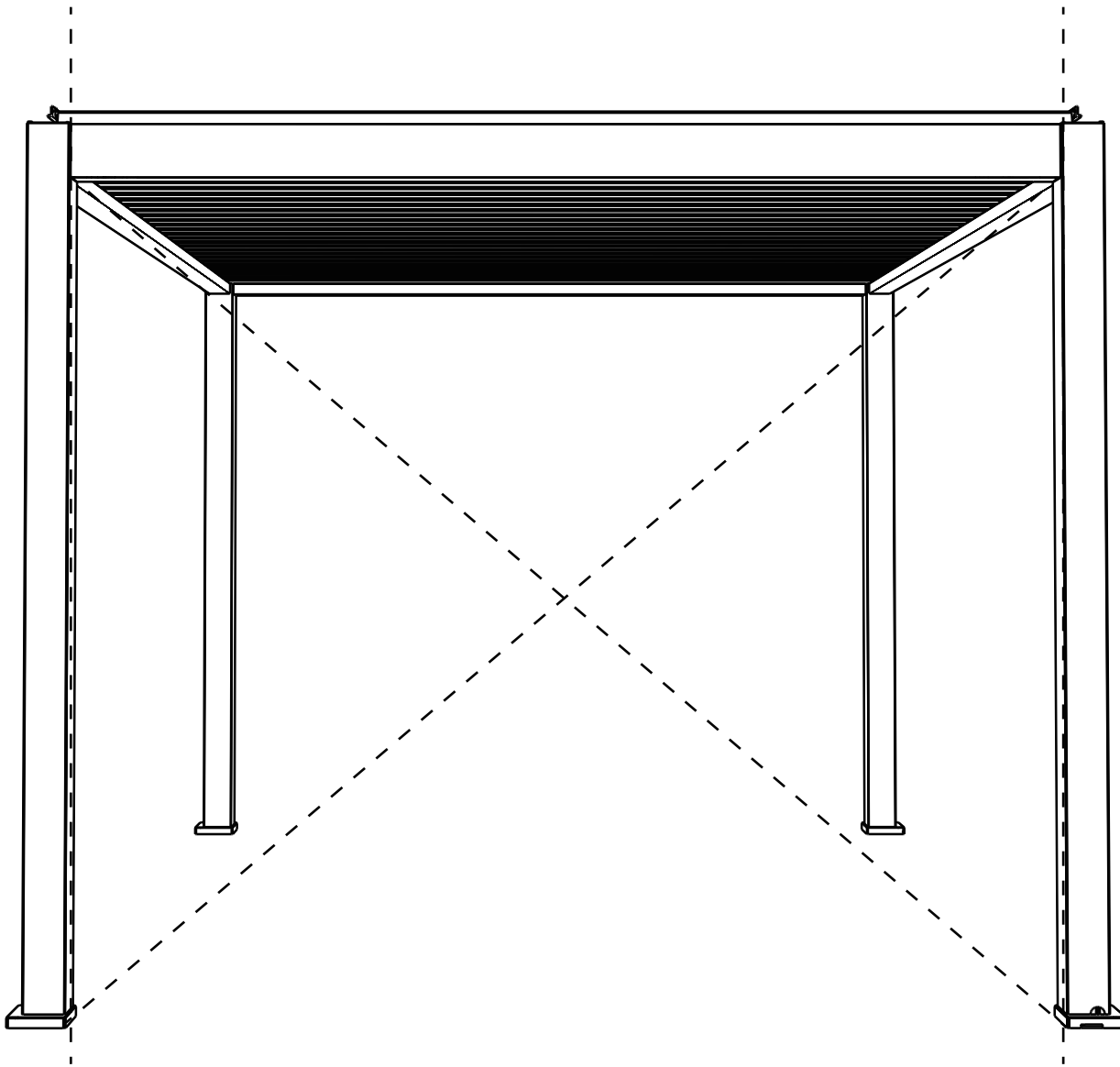
Product damage due to natural disasters or human activities is not covered by the warranty.

Profiles, accessories and tools

No.	Right rail (integral)	No.	Left rail (integral)
A	 x1	B	 x1
No.	Screen(cover/end cover/curtain fabric/lower rod)	No.	Lower rail(separate)
C	 x1	D	 x2
No.	Upper rail (separate)	No.	Plastic rail (separate)
E	 x2	F	 x2

①Track set screw	WALL MOUNTED			
				
Ladder	Tape measure	Electric hand drill	Gloves	Works
 x2 >1.5m				 >3

Step 1: Measuring installation position

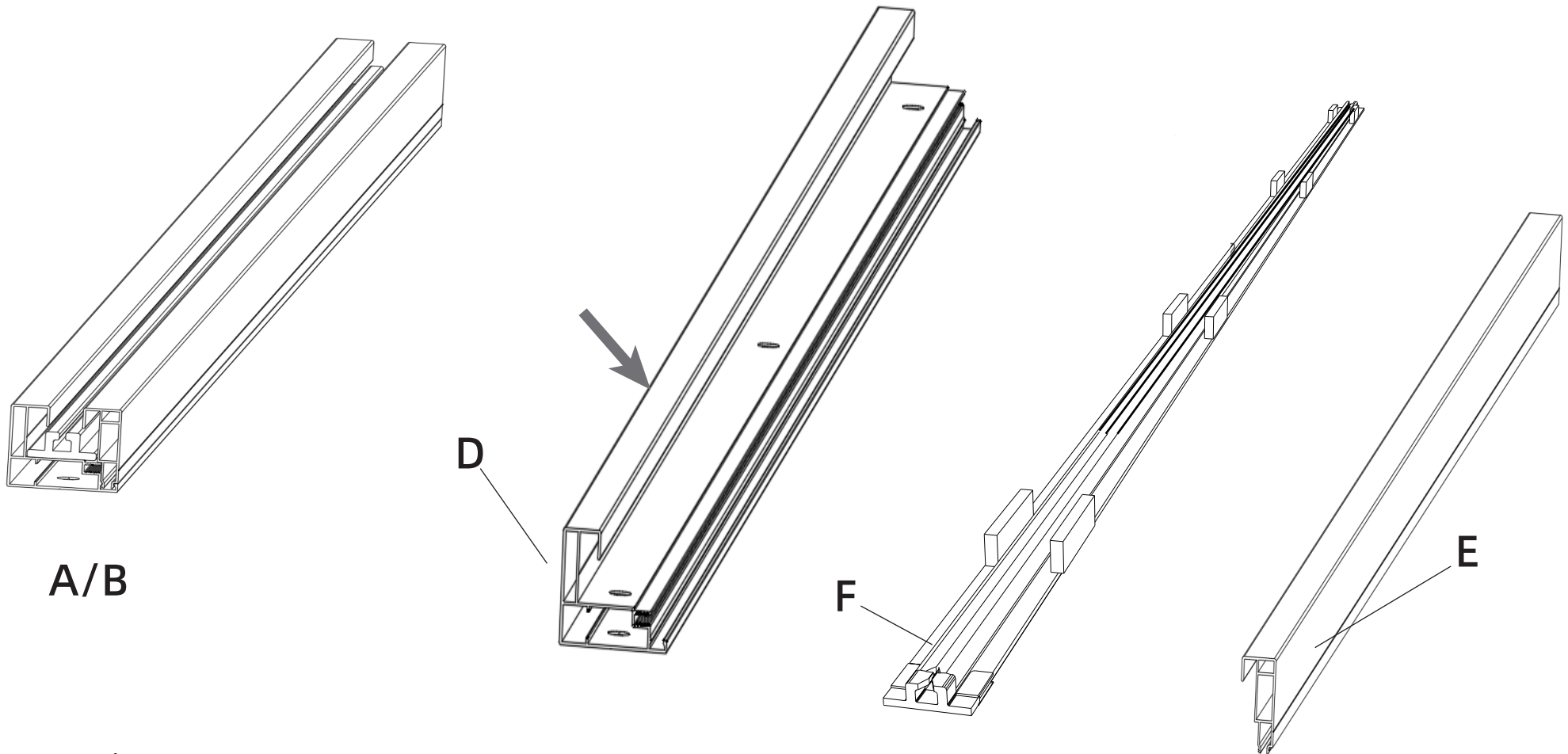


Instructions:

Use a tape measure and laser level to measure the installation position:

1. Whether the frame is flat and straight;
2. Whether the installation position size is consistent with the rolling curtain;
- 3, diagonal length is consistent;
4. Ensure that the frame is not skewed and the size is appropriate before installation.

Step 2: Split left and right rails

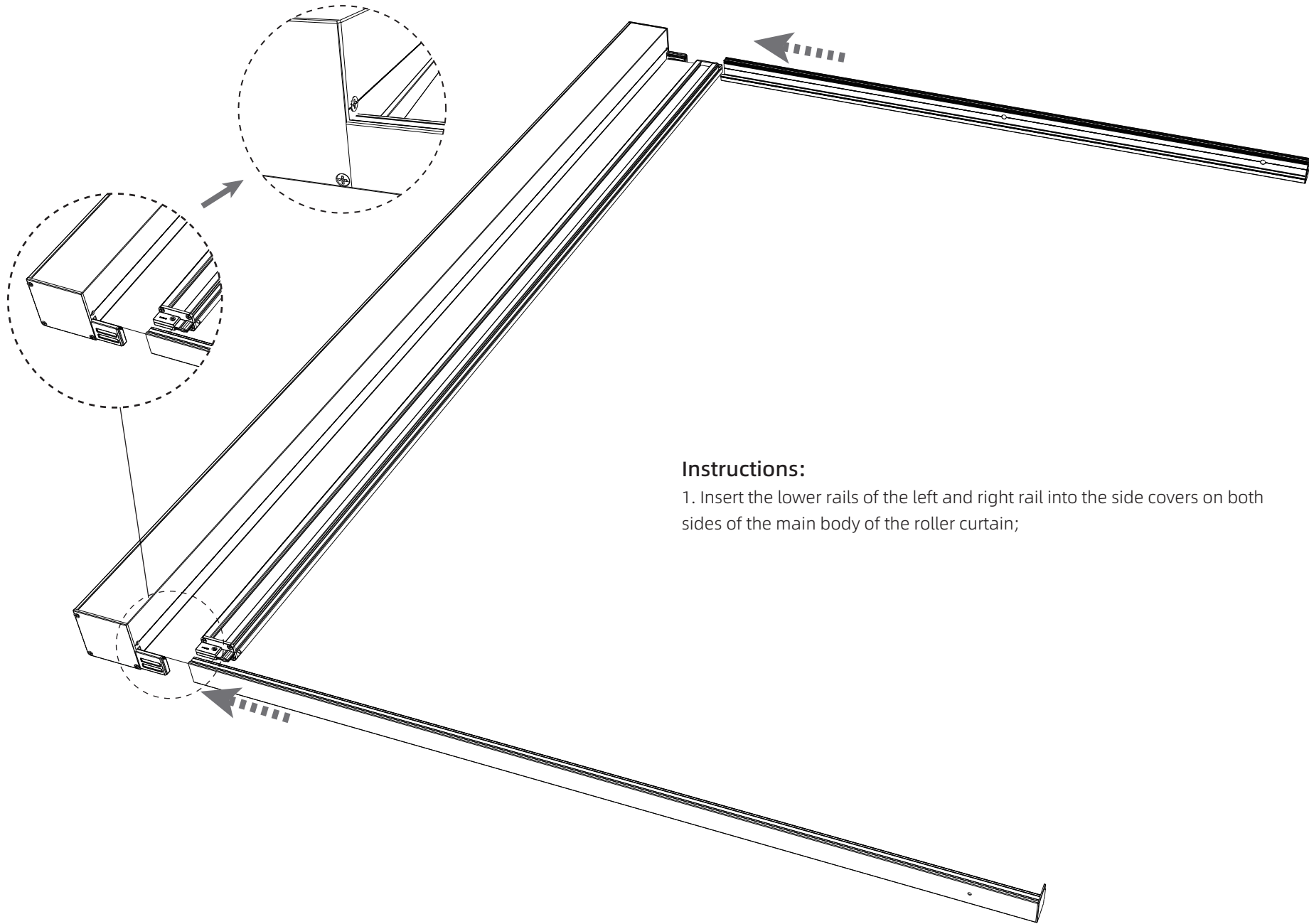


Instructions:

Break up the left and right rail:

Break off the upper rail and divide the track into three parts: upper rail, plastic rail and lower rail.

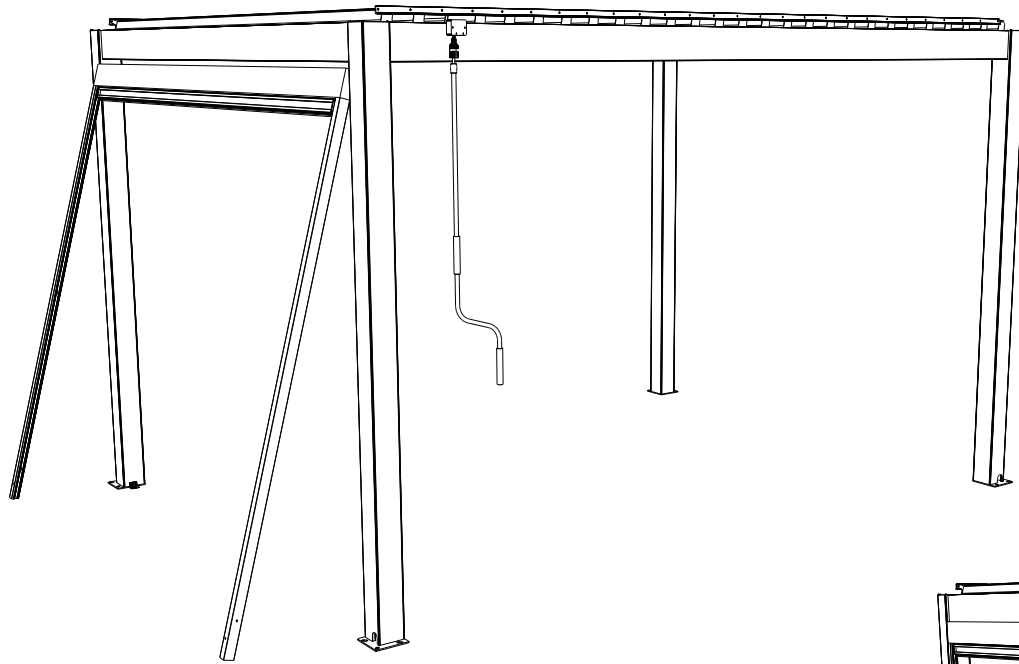
Step 3: Lower rail insert Screen side cover



Instructions:

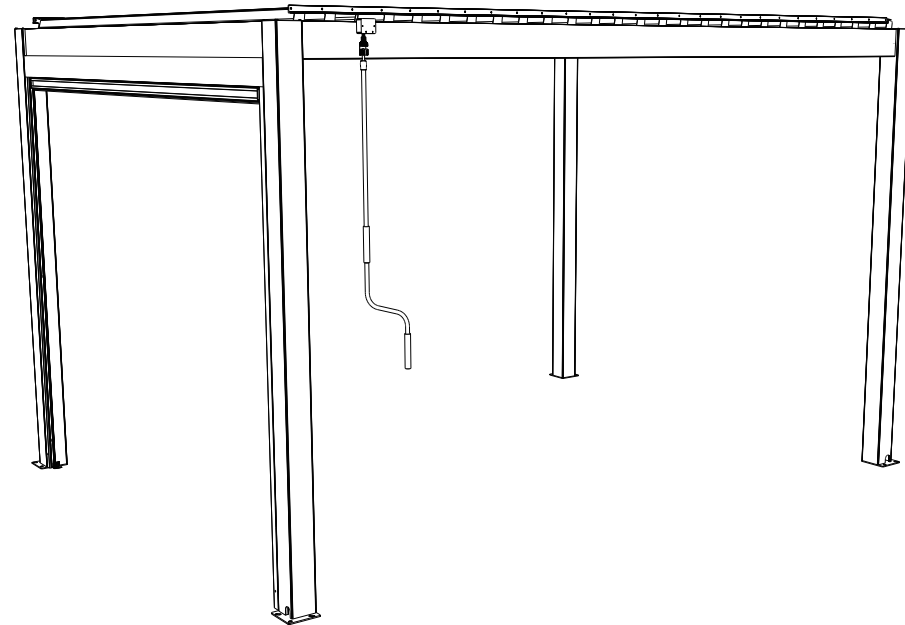
1. Insert the lower rails of the left and right rail into the side covers on both sides of the main body of the roller curtain;

Step 4: Put the screen in the frame





Instructions:

1. Tilt the lower rail and the main body of the roller curtain into the installation frame, and then straighten it;
2. need 2-3 people to operate, the height is too high need to use a ladder;
3. Both sides of the rail should be parallel to each other to ensure the same plane.

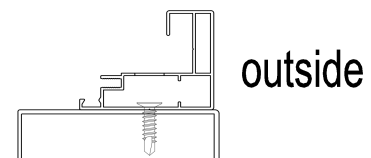


Step 5: Fixed rails

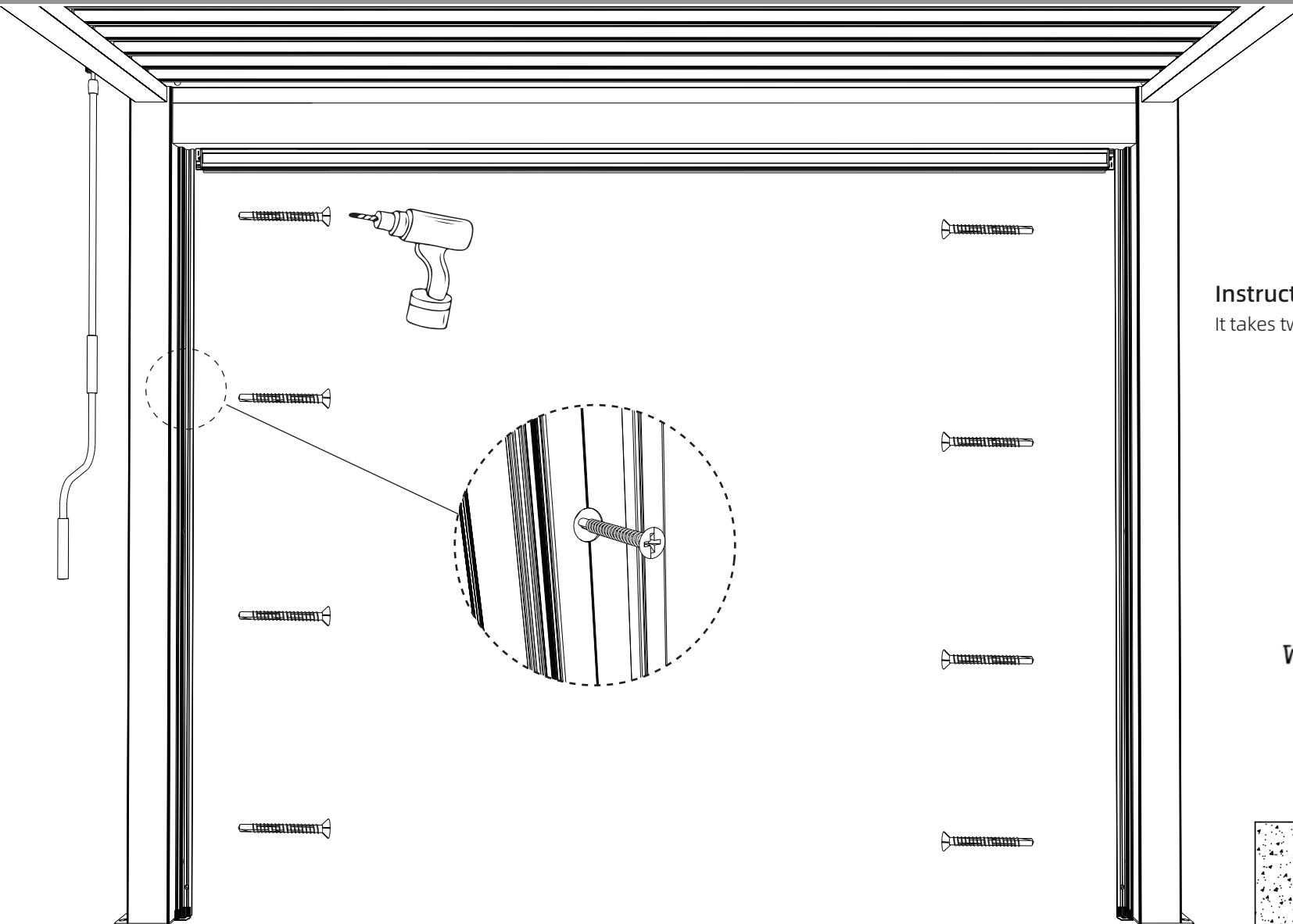
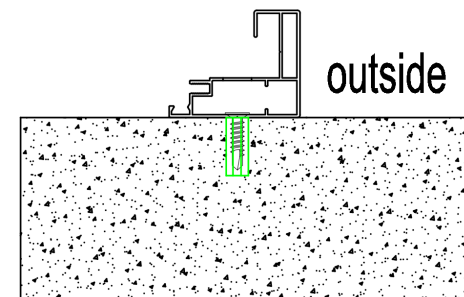
①	Drill
	

Instructions:

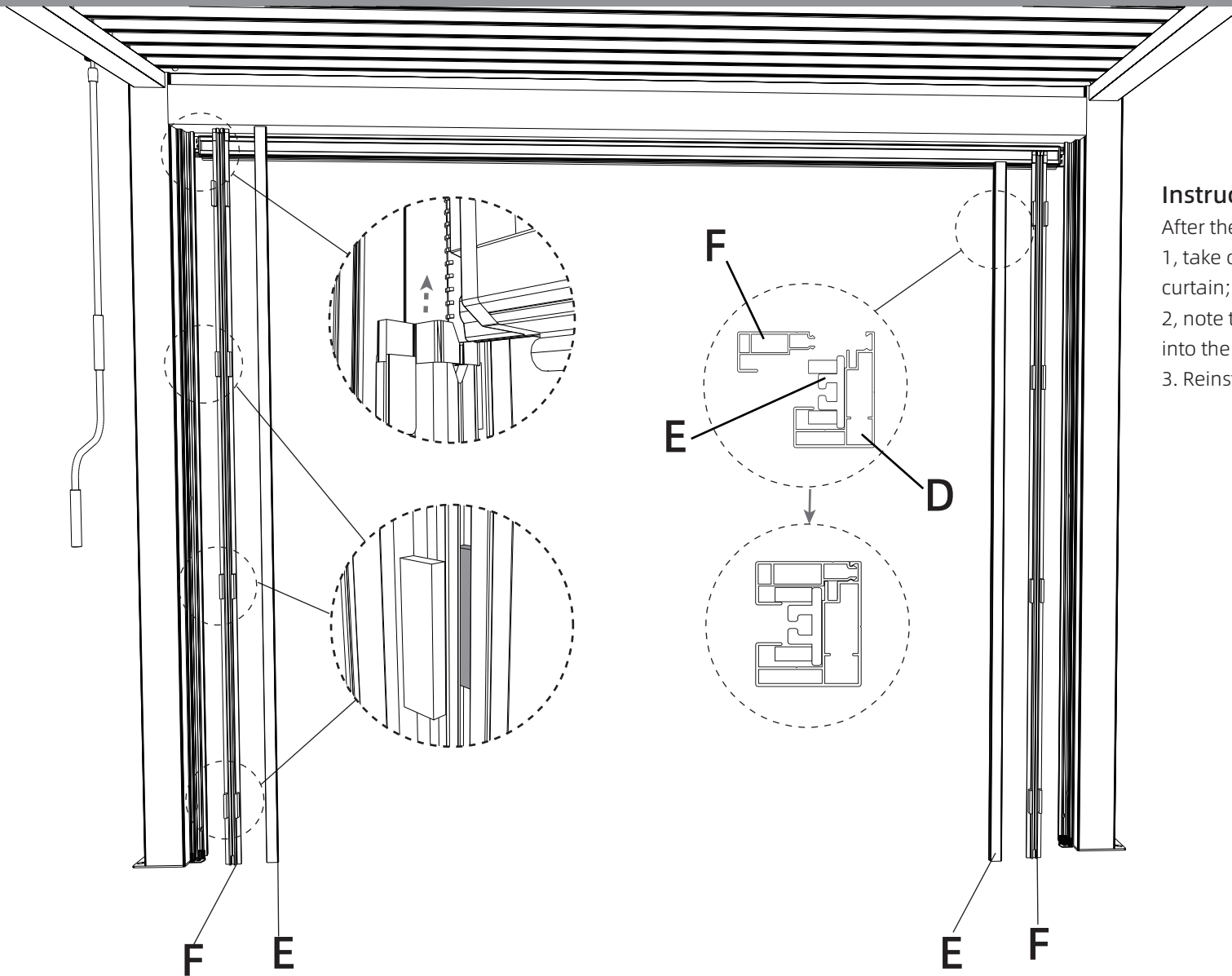
It takes two men to screw down the track.



WALL MOUNTED:



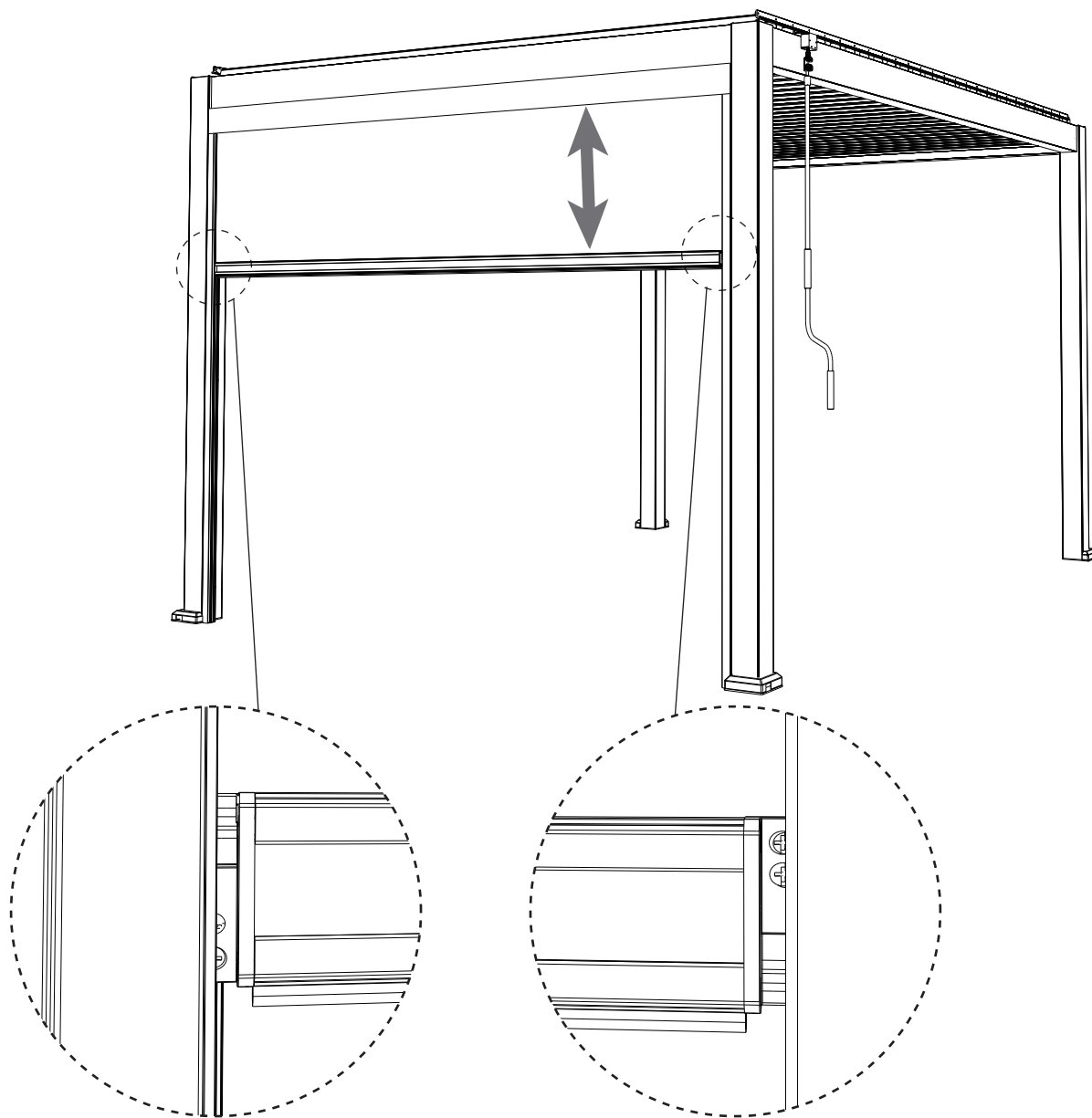
Step 6: Reassemble rail



Instructions:

- After the lower rail is fixed, begin to reassemble the whole rail:
- 1, take out the plastic rail, V-shaped end facing up, insert the curtain;
 - 2, note that the sponge on the plastic rail needs to be plugged into the upper and lower rail;
 3. Reinstall the upper track, as shown in the figure.

Step 7: Test screen



Instructions:

Criteria for judging the correct installation of the roller shutter:

- ① Pull up and down smoothly, no delay;
- ② Let go and stop, no rebound;
- ③ The end cover on both sides of the lower rod is consistent with the track distance, 5-10mm is suitable.

Step 8: Fault analysis and troubleshooting

Fault 1: The rolling curtain is soft and weak and automatically falls, the pulling force is strong and automatically rises, and it cannot hover

Reason: the spring tension is too small, the roller curtain automatically falls due to its own weight; The spring is pulling too much. It keeps pulling up.

Solution: Open the rolling shutter cover, remove the rolling shutter bracket screw, use the tool to readjust the spring tightness. For detailed operation, please consult the after-sales staff.

Fault 2: The rolling curtain will be stuck when pulled down to a certain position and cannot move

Reason: the tracks on both sides of the curtain are not parallel, and the situation is narrow on the top and wide on the bottom or narrow on the top and wide on the bottom.

Solution: ① First measure whether the dimensions of the middle and lower three positions on both sides of the track are consistent.

② Observe whether the two sides of the track are on the same level, and exclude the track "front and back crossing".

③ Observe whether the distance between the left and right end covers of the lower rod and the track is too large or too small?

④ Encounter the card rail, do not use violence to pull the curtain down, you should first slowly push the curtain back, Then according to the above situation to determine the kind of problem caused by the card rail, to correct;

* Violent pulling will lead to irreversible damage to the roller fabric or track, and the manufacturer does not guarantee.

Fault 3: The roller curtain is not pulled up and down smoothly, and there is a slight delay or abnormal sound in a certain position

Reason: A. The silent sponge inside the roller curtain track is not plugged in.

B. Plastic track scraping roll fabric.

Solution: ① Check whether the silent sponge on the left and right tracks is not plugged into the track, if so, plug the sponge back into the track.

② Open the track and check whether there are foreign objects in the track.

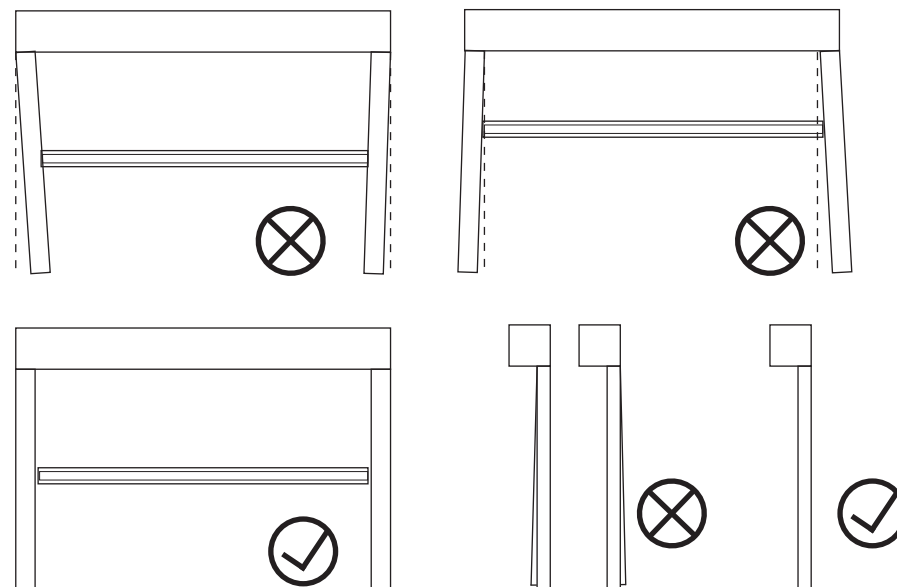
③ Observe the contact between the rolling curtain movement and the plastic track, whether there is transitional friction, if so, Contact the manufacturer to replace the plastic track.

Fault 4: The roller shutter is stuck in a certain position and cannot be lowered

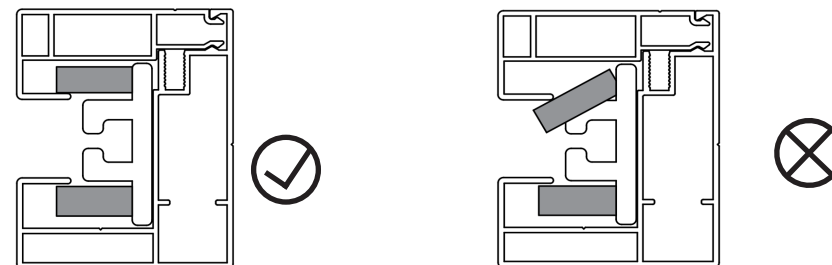
Reason: Screw on the track or plastic track.(wrong operation)

Solution: Can not screw on the track or plastic track, or add/add other things, need to modify the roller shutter, Please consult the manufacturer first. The user changes the roller track or profile structure by himself, resulting in product damage
No warranty.

Rail Installation



Sponge Installation



Do not rely on the screen

